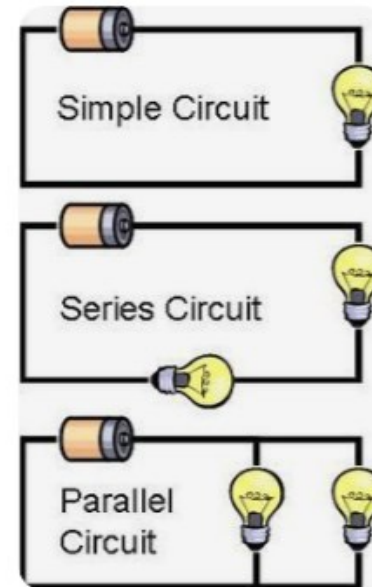


Science - Year 4 - What is electricity?

Sticky Knowledge:

- To identify common appliances that run on electricity.
- To know how to stay safe around electricity.
- To know that cells, batteries and mains are all sources of electrical energy
- To know how to draw and construct a simple series circuit.
- To know that electrical current can flow if there is a complete circuit.
- To know how a circuit works.
- To know and name some common conductors and insulators.



Glossary:

Circuit - a system of electrical conductors and components that work together

Electricity - Form of energy that is carried through wires and used to operate lights, etc.

Cell - Device used to generate electricity.

Battery - a group of cells

Buzzers - an electrical device that makes a buzzing noise

Electrical flow - an electrical current moving through a space.

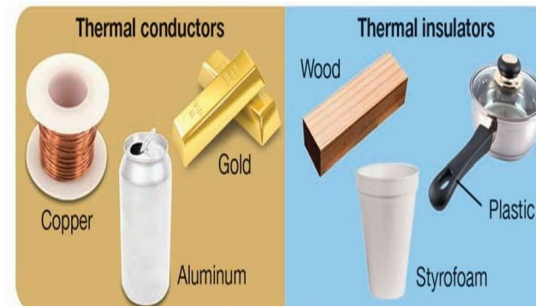
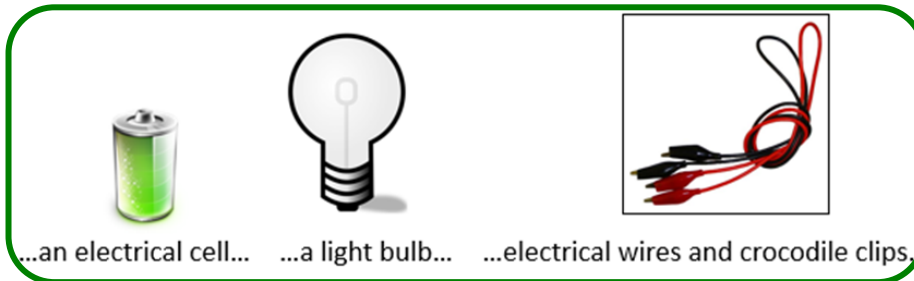
Components - part of a larger whole
Switch - a device for making and breaking the connection in an electric circuit.

Material - the matter from which a thing is or can be made.

Conductor - Material that conducts or transmits energy.

Insulator - A materials that does not conduct electricity

Motor - converts electrical energy to movement



SIMPLE ELECTRIC CIRCUIT

The electric current runs through the light bulb...

...and continues along the wire to the positive end of the battery

The circuit starts from the negative end of the cell

Circuit Symbols

